

TPS 830 Series Microminiature SMT Top Actuated

NEW



Features/Benefits

- 3.5 x 2.6 mm footprint
- High number of cycles
- Optional ground pin

Typical Applications

- Wearable electronics
- Nomad devices
- Remote controls
- Keyless entry system

B

Tactile Switches

Specifications

FUNCTION: momentary action
CONTACT ARRANGEMENT: 1 make contact = SPST N.O.
TERMINALS: G type for SMT
TRAVEL: 0.15 mm + 0.1 mm

	Operating Force (gf)	Life Cycles	Ground Pin
TPS830 GM140 SMTR LFS	160 ± 50	500,000	No
TPS830 GG140 SMTR LFS	450 ± 80	200,000	No
TPS830 GM140G SMTR LFS	160 ± 50	500,000	Yes
TPS830 GG140G SMTR LFS	450 ± 80	200,000	Yes

Packaging

Switches in reels of 9,500 pieces
Dimensions of reels according to EIA 481B
External diameter 330 mm

Electrical

MAXIMUM VOLTAGE: 12 VDC
MAXIMUM CURRENT DC: 50 mA
DIELECTRIC STRENGTH: 100 VA C (1mm)
CONTACT RESISTANCE: ≤ 100 mΩ
INSULATION RESISTANCE: ≥ 100 MΩ
BOUNCE TIME: ≤ 10 ms

Environmental

OPERATING TEMPERATURE: -40°C to 85°C

Process

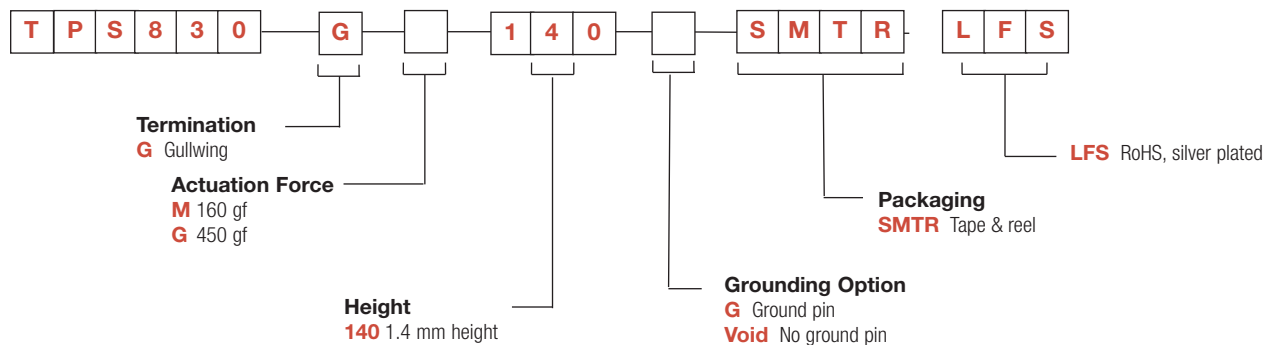
SOLDERING: This component is suited to the following methods:
Infrared Reflow Soldering in accordance with IEC61760-1

NOTE: Specifications listed above are for switches with standard options.
For information on specific and custom switches, consult Customer Service Center.

How To Order

Our easy build-a-switch concept allows you to mix and match options to create the switch you need. To order, select desired option from each category and place it in the appropriate box.

For any part number different from those listed above, please consult your local representative.



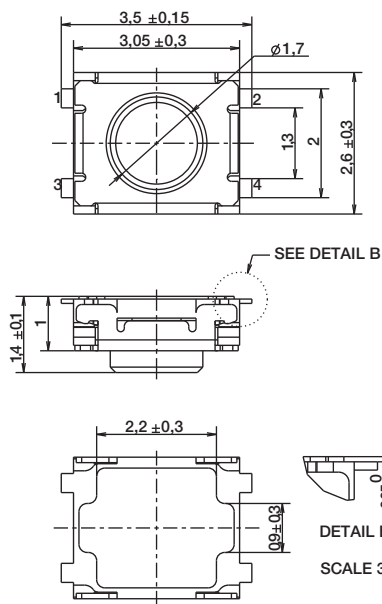
Dimensions are shown: mm
Specifications and dimensions subject to change

WWW.ROCPS.COM

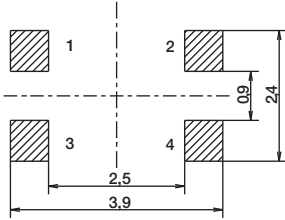
NEW

TPS 830 Series Microminiature SMT Top Actuated

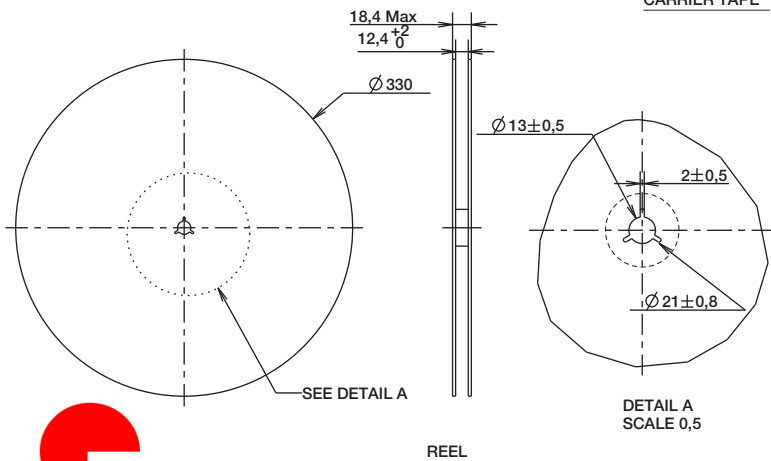
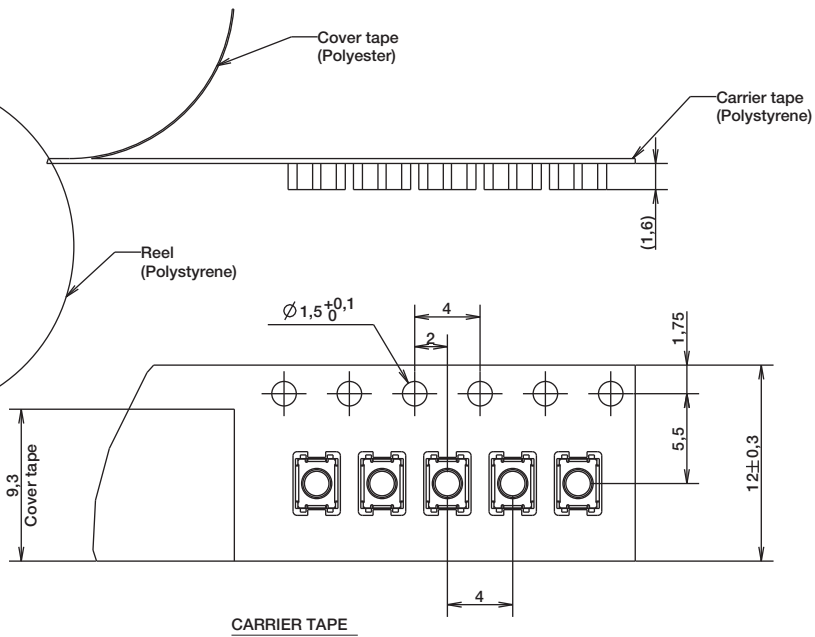
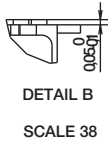
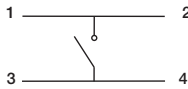
TPS830 GX 140 SMTR LFS



RECOMMENDED PCB LAYOUT

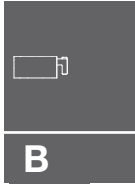


SCHEMATIC



Dimensions are shown: mm
Specifications and dimensions subject to change

WWW.ROCPU.COM



B

Tactile Switches

TPS 830 Series Microminiature SMT Top Actuated

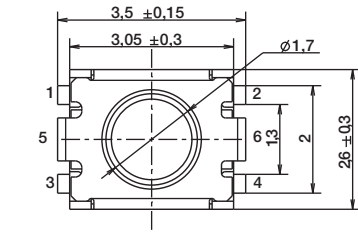
NEW

TPS830 GX 140 G SMTR LFS

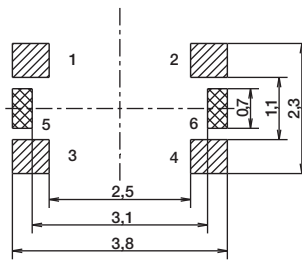
Tactile Switches



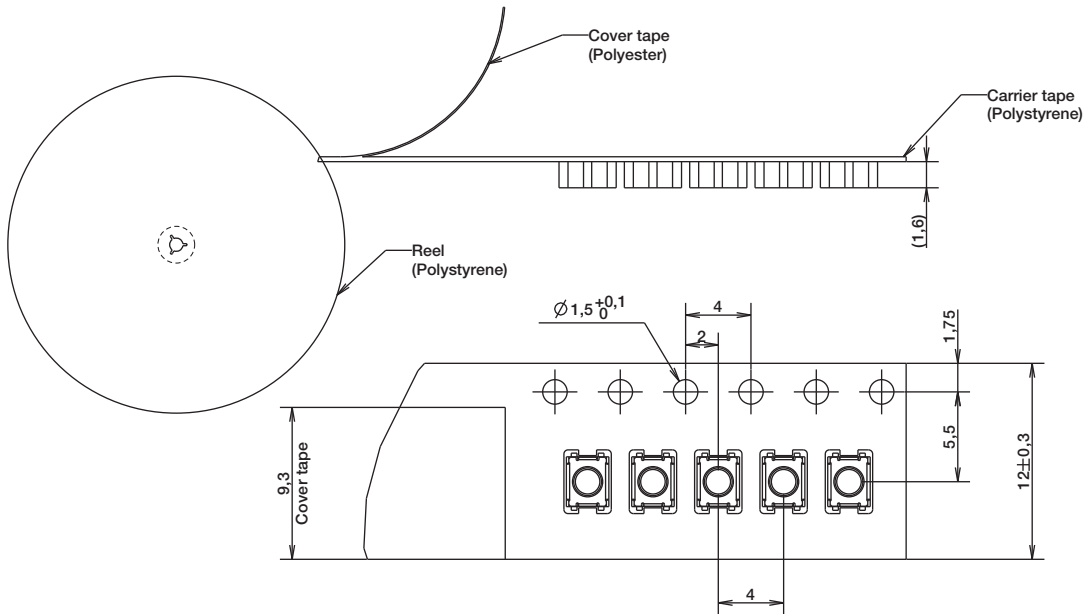
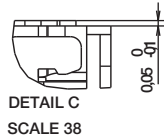
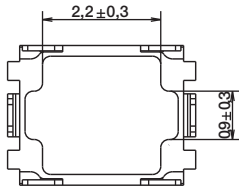
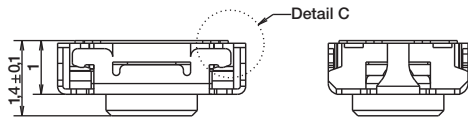
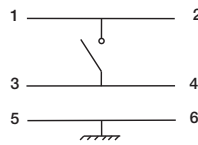
B



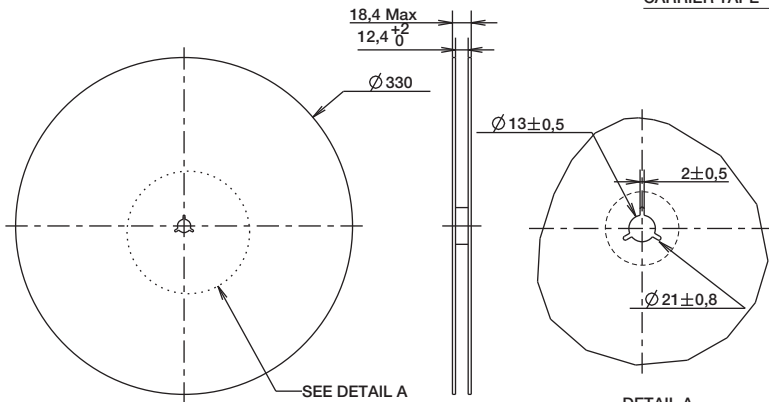
RECOMMENDED PCB LAYOUT



SCHEMATIC



CARRIER TAPE



DETAIL A
SCALE 0.5

REEL



Dimensions are shown: mm
Specifications and dimensions subject to change

WWW.ROCPU.COM